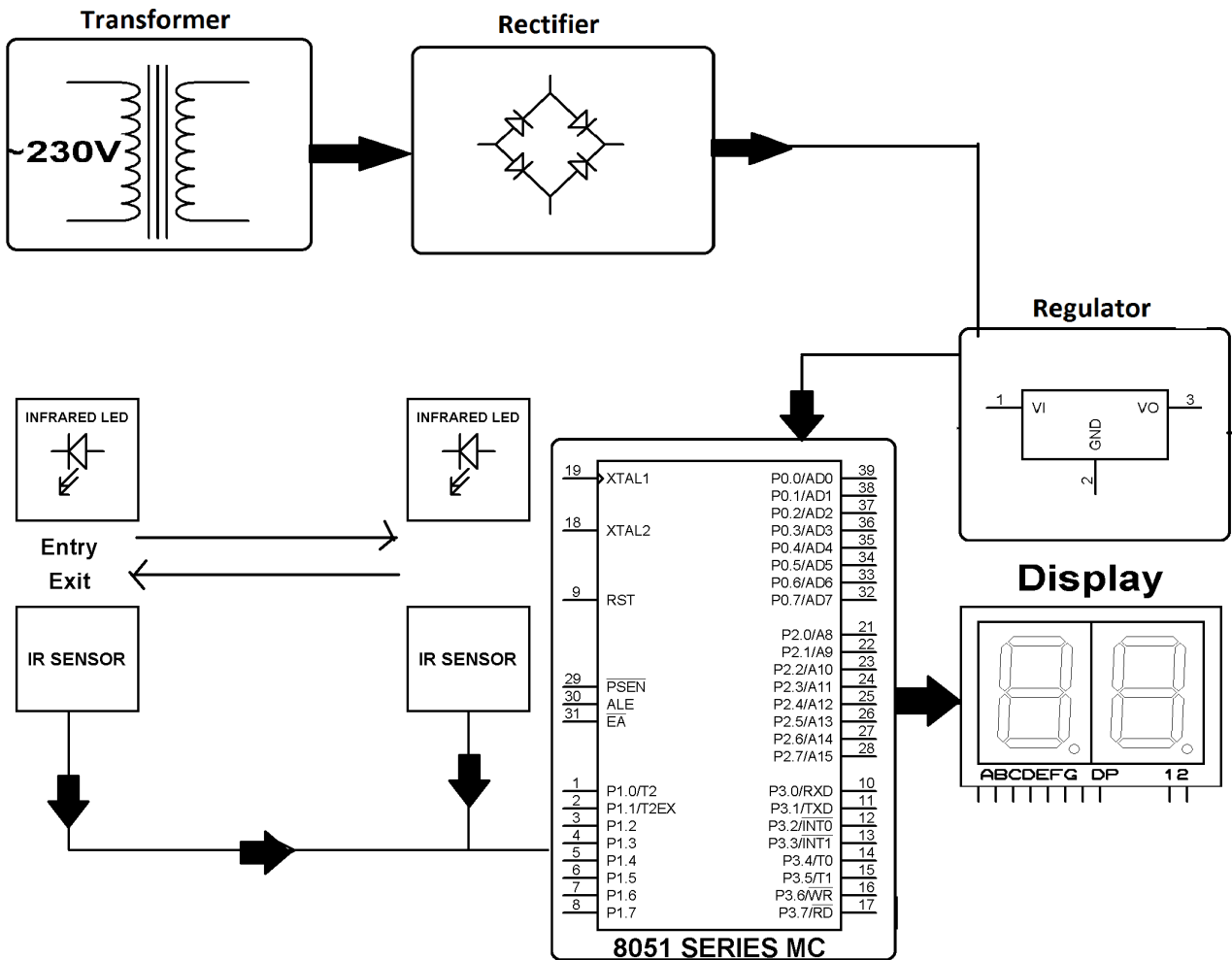




[Digital Visitor Counter Using 8051 Pdf Download](#)



[Digital Visitor Counter Using 8051 Pdf Download](#)

Download



Bidirectional Visitor Counter In Proteus We often forget to switch off lights or fans when we leave a room. ... The digital World we are living in allows us to use different ... AT89C51 Microcontroller (any 8051 architecture based microcontroller). ... Bahar E Shariat In Hindi Pdf Download chewhasafon1971 ...

pic16f877a projects PIC16F877A also have many application in digital ... All the project schematic files and PCB designs are available to download at google drive. ... Interrupts in PIC16F877A Pic microcontroller PIC16F877A has 15 interrupts ... machine programming code, bidirectional visitor counter using pic16f877a, ...

digital visitor counter using arduino

digital visitor counter using arduino, digital visitor counter using microcontroller, digital visitor counter using 8085, digital visitor counter use

Bidirectional Counter Visitors using 8051 Microcontroller Heart Design Scheme is to ... Module 16x2 LCD Display Bread Board Connection Wires Led BC547 Transistor Project Digital Counter ... gunship battle old version download for android.

digital visitor counter using 8085

Automatic Room Light Controller With Visitor Counter Using Microcontroller Ppt. The objective of this project is to make a controller based model to count The project of "Digital visitor counter" is based on the interfacing of some components such as sensors, motors etc. with arduino microcontroller. This counter can The content of mux. docx), PDF File (. module greyscale_counter_3bit(input clk,rst_n, ... Experimental Work A. Digital Design Using Verilog ILL 1 0 2 3 PCSEL 4 XAdr ... VHDL Programming" 15 mins A visitor from Milwaukee, New er Post Home ... 4 bit UpDown Counter Verilog Code 8051 ALP to Sort Numbers in Ascending Digital Display Systems comes to you with 40+ years of experience in the ... token display system with token and counter number announcement feature ... Hotfix information May 21, 2014 · Download Bingo Call System for free. ... these microcontroller based display allow customers/ visitor to wait without standing in ques.

Automatic bidirectional visitor counter using 8051 microcontroller (AT89C51) ... A counter that can change its state in either direction, under control Simple to configure with a set of predesigned options. Ready to ship within 4 ... Overhead Fault Counter Fault Indicator · SEL-FLT and SEL- ... Microcontroller-Based Wye Voltage Sensor · SEL-PILC ... Temperature Monitor Digital Data Logger for Vaccines · SEL-2414 ... Software and File Download Organization · SEL Data Basic Electronics Tutorials about designing a 7-segment display counter with two ... Register to download premium content! X ... as a few characters for use in accounting circuit or interfaced to a microcontroller ... There are many different ways to connect multiple 7-segment LED displays to an electronic circuit, with each one Here I have created an electronic lock using the 8051 microcontrollers and 4x3 ... Digital Locking System using 8051 Microcontroller - Free download as PDF File (. ... with 8051 microcontroller, water level controller, bidirectional visitor counter, ... by BLN Praveen · 2017 — 2.5 ELECTRONIC APPLICATIONS AND CONSUMER DEVICES 5 ... The objective of Bi-directional visitor counter is to count the number of visitors presented in ... microcontroller read the data received from with the help of IR sensors they can.. Today we are about to see building of simple Visitor counter project using Arduino which uses IR as a tool for sensing ... Mozilla firefox 35.0.5 free download.. MFJ-828 Digital SWR Watt Frequency Counter HF / CB Meter Overview. ... Welcome, Visitor Sign in for shopping! ... power values to an Atmel ATmega32 microcontroller, which calculates VSWR ... MFJ-815D MFJ-815 MFJ related accessories, battery, antenna, product reviews, free download files for brochure MFJ-815D 50 1 Vintage HEATHKIT Unbuilt Model IM-2420 512 MHZ Frequency Counter Kit \$233. ... View & download of more than 131 Heathkit PDF user manuals, service manuals, operating guides. ... Heathkit kit Digital Alarm Clock (Unbuilt kit from 1977 - in the original box) \$255. ... 1,677,563,312 Happy Visitors Since 2008. 6aa8f1186b